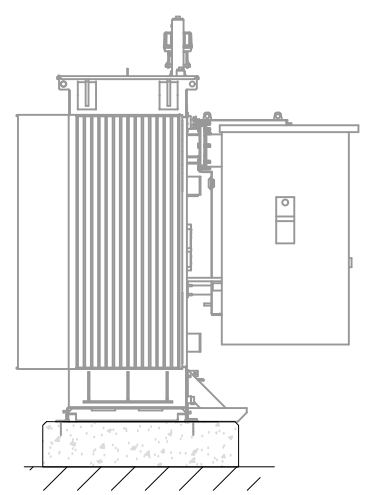
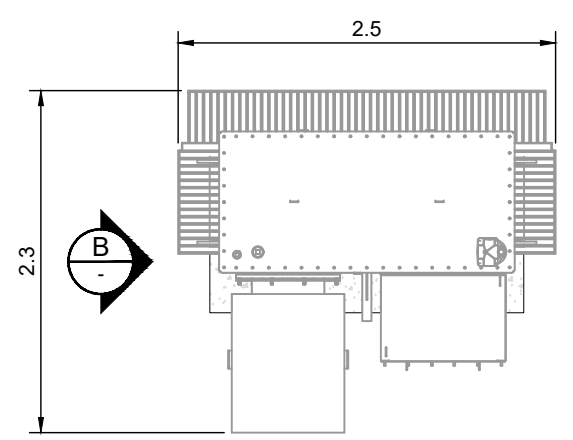


**ELEVATION A**  
SCALE 1:50

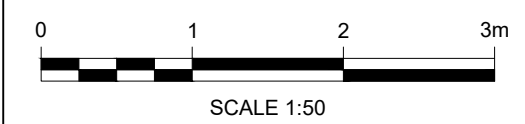


**ELEVATION B**  
SCALE 1:50



**PLAN**  
SCALE 1:50

- NOTES:**
1. ALL DIMENSIONS ARE IN METRES UNLESS OTHERWISE STATED.
  2. DETAILS SHOWN ARE TYPICAL AND ARE SUBJECT TO DETAILED DESIGN.
  3. ALL DIMENSIONS ARE APPROXIMATE AND SUBJECT TO DETAILED DESIGN.



1	BM	VM	MA	2023-12-12	FIRST ISSUE
ISSUE	DRAWN	CHKD	APPD	DATE	REVISION NOTES
PURPOSE					COORDINATES
PLANNING					N/A
SCALE					DATUM
1:50 @A3					N/A
LAYOUT DRAWING					T-LAYOUT NO
N/A					N/A

PROJECT TITLE  
**CONTULLICH ENERGY STORAGE FACILITY**

DRAWING TITLE  
**AUXILIARY TRANSFORMER**

RES DRAWING NUMBER	REV
05196-RES-SUB-DR-PT-001	1

THIS DRAWING IS THE PROPERTY OF RENEWABLE ENERGY SYSTEMS LIMITED AND NO REPRODUCTION MAY BE MADE IN WHOLE OR IN PART WITHOUT PERMISSION

BEAUFORT COURT,  
EGG FARM LANE,  
KINGS LANGLEY,  
HERTS WD4 8LR, UK  
TEL +44 (0) 1923 299200  
WWW.RES-GROUP.COM